

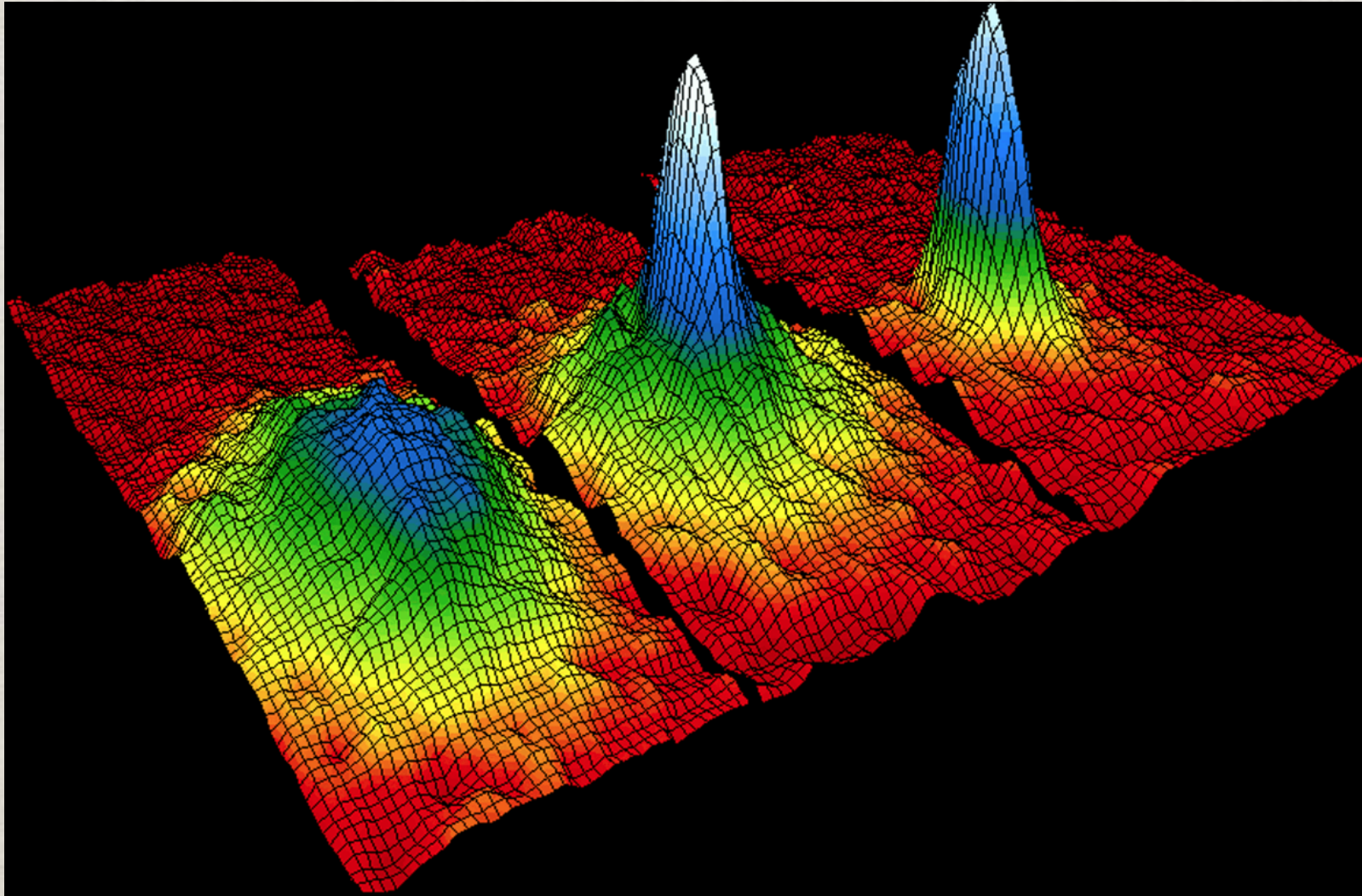
# BEC's and Me

Conrad Hawkins  
Final REU Presentation

# Bose-Einstein Condensates

- State of Matter
- Very near absolute zero (few billionths of a degree above absolute zero)
  - Coldest place in the universe!
- Wave-functions begin to overlap and particles become indistinguishable ( $n\lambda > 2.6$ )
- Predicted by Einstein and Bose in 1924
- Cornell and Wieman created first BEC in 1995 at Boulder

# Rb-87 BEC



July 14th 1995 Boulder Group

# The Lab

- The goal of the lab is to have ultra-cold Rb in a 2-D optical lattice w/ arbitrary potentials within a year
- Optical arbitrary potentials are better to make configurations (harder to get running, easier to change)
  - Move really cold particles around easily
- 2-D physics is fun
  - Fractional quantum Hall effect
  - Model transistor gates at small scales

# My Summer Project

- ☼ Increase my understanding of ultra-cold physics
- ☼ Work on various projects in order to optimize the apparatus
- ☼ Housekeeping
- ☼ Not doing anything specific

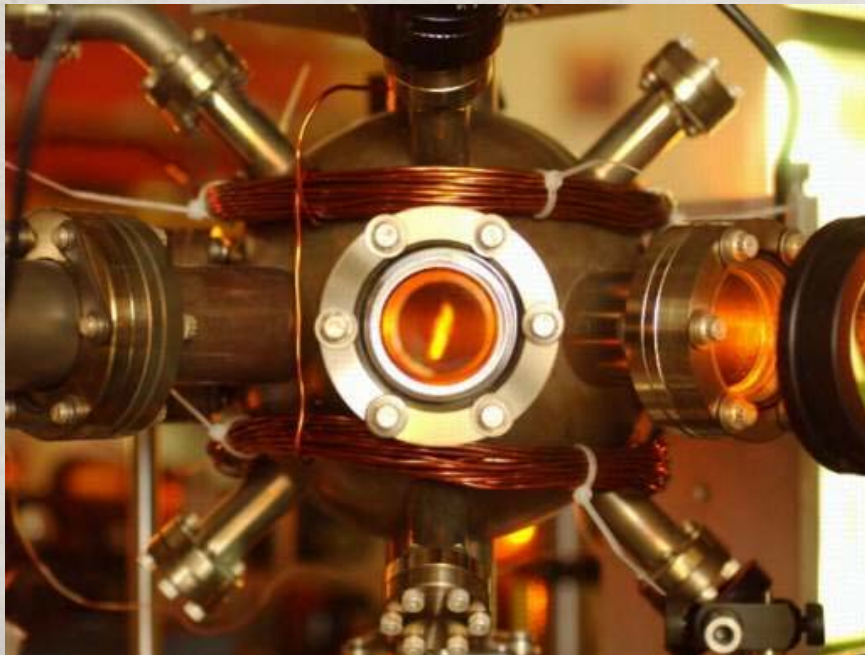
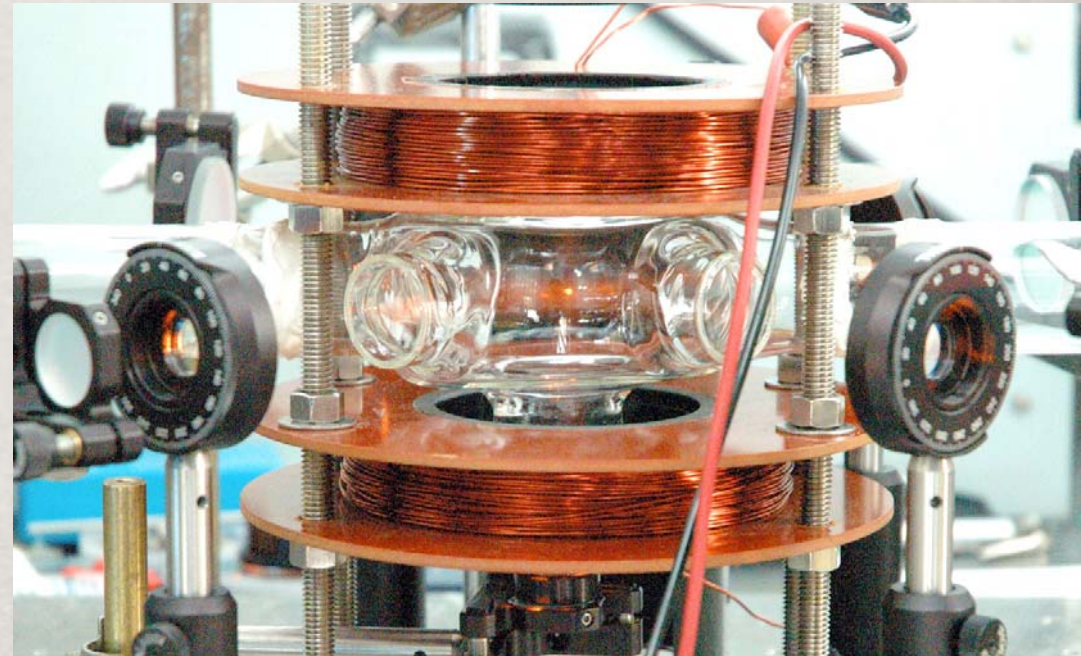
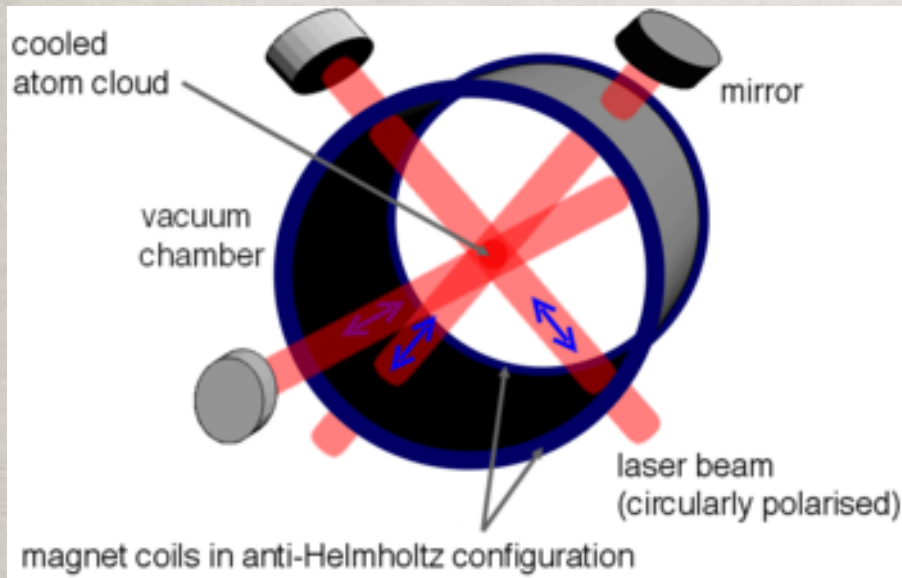
# BEC Techniques

- Two steps used in order to make a BEC
  - Laser cooling
  - Evaporative cooling

# Magneto-Optical Trap

- Photons impart a momentum equal to  $\hbar k$  to an atom before absorption
- Using the doppler shift one can allow light to only be absorbed if it heads toward the laser source (red detuned)
- Using magnetic trap (quadrupole coils) can shift spectral line in a radial direction
  - More likely to get pushed toward center of trap

# MOT Pictures



MOTs cools to  $\mu\text{K}$  regime



# Evaporative Cooling

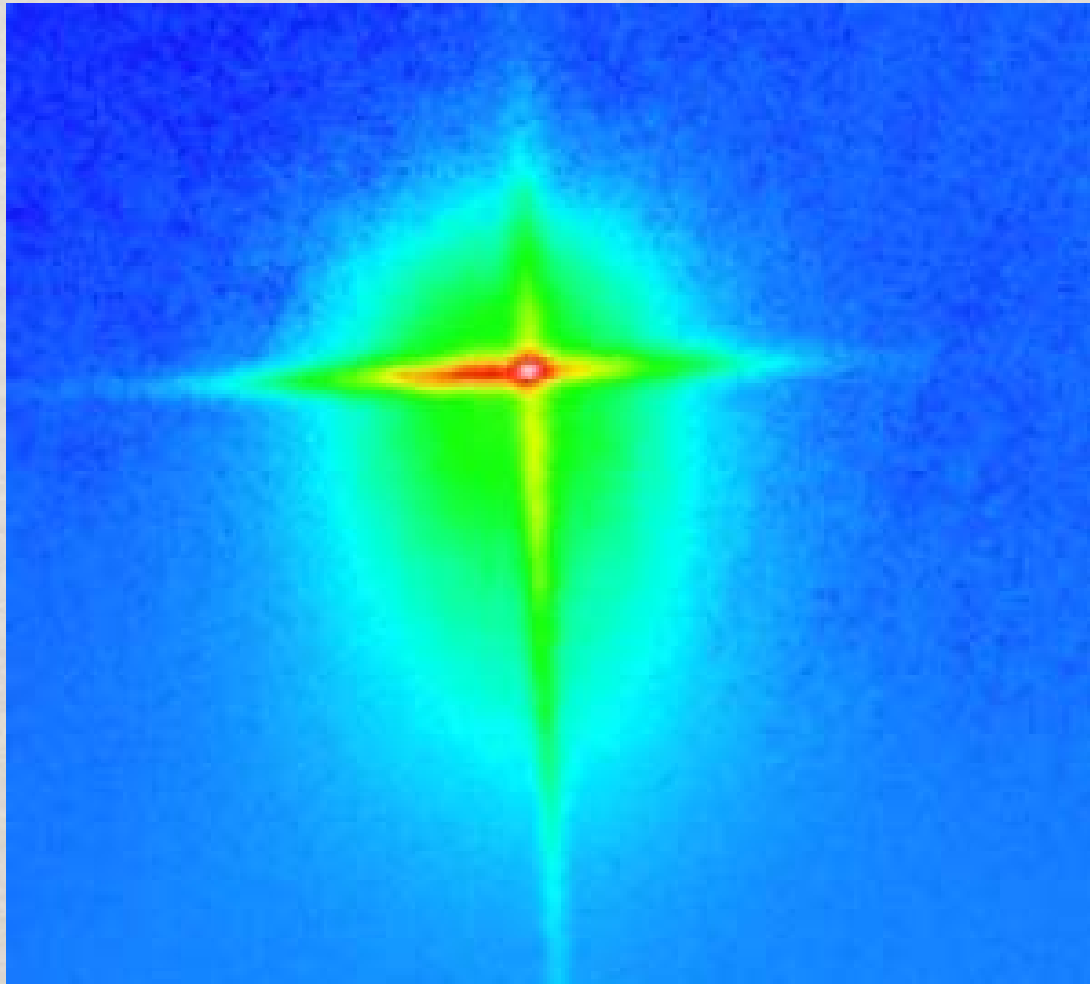
- ✿ We use a cross-beam dipole trap in order to achieve evaporative cooling
- ✿ Laser beam shifts energy levels of the atoms due to Stark effect and induces dipole moments
- ✿ Atoms attracted to higher laser intensity if red-detuned (traps atoms in beam)
- ✿ Slowly decrease laser intensity to decrease temperature

# Coffee Cup Analogy



- Hottest particles escape from the cup as steam
- Lower the walls of the trap (decreasing intensity of beam)
- Left with cold molecules

# Cross-Beam Dipole Trap



Atoms pulled to the crossing of  
the optical beams

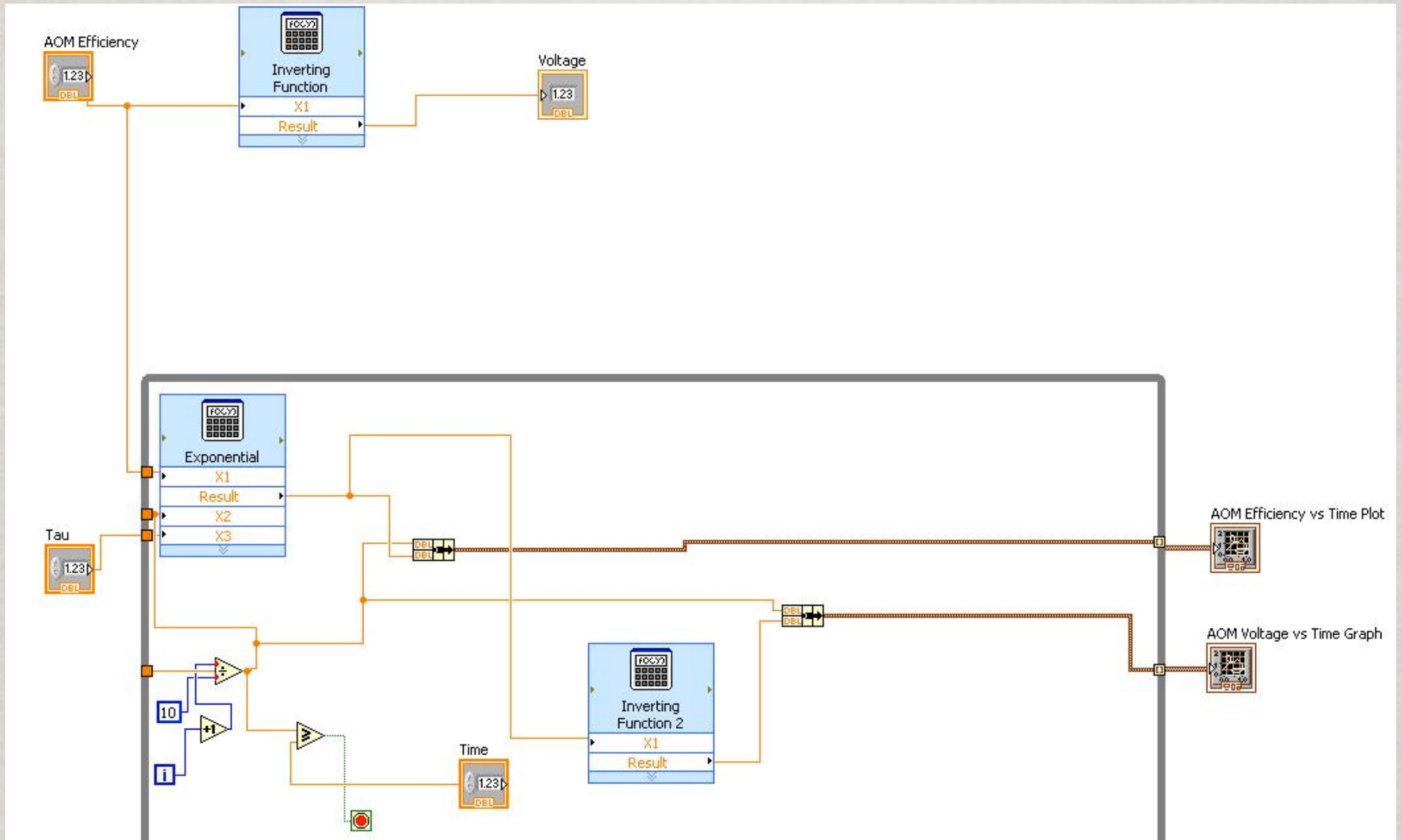
# Acousto-optic modulator (AOM)

- An incoming beam is split into two ordered beams. The zero order diffraction passes right through the AOM undeflected, but the first order diffraction beam is deflected at a certain angle
- By applying a certain voltage to the AOM through a computer one can vary the intensity of the diffracted beam
- Useful as an on/off switch and changing frequency

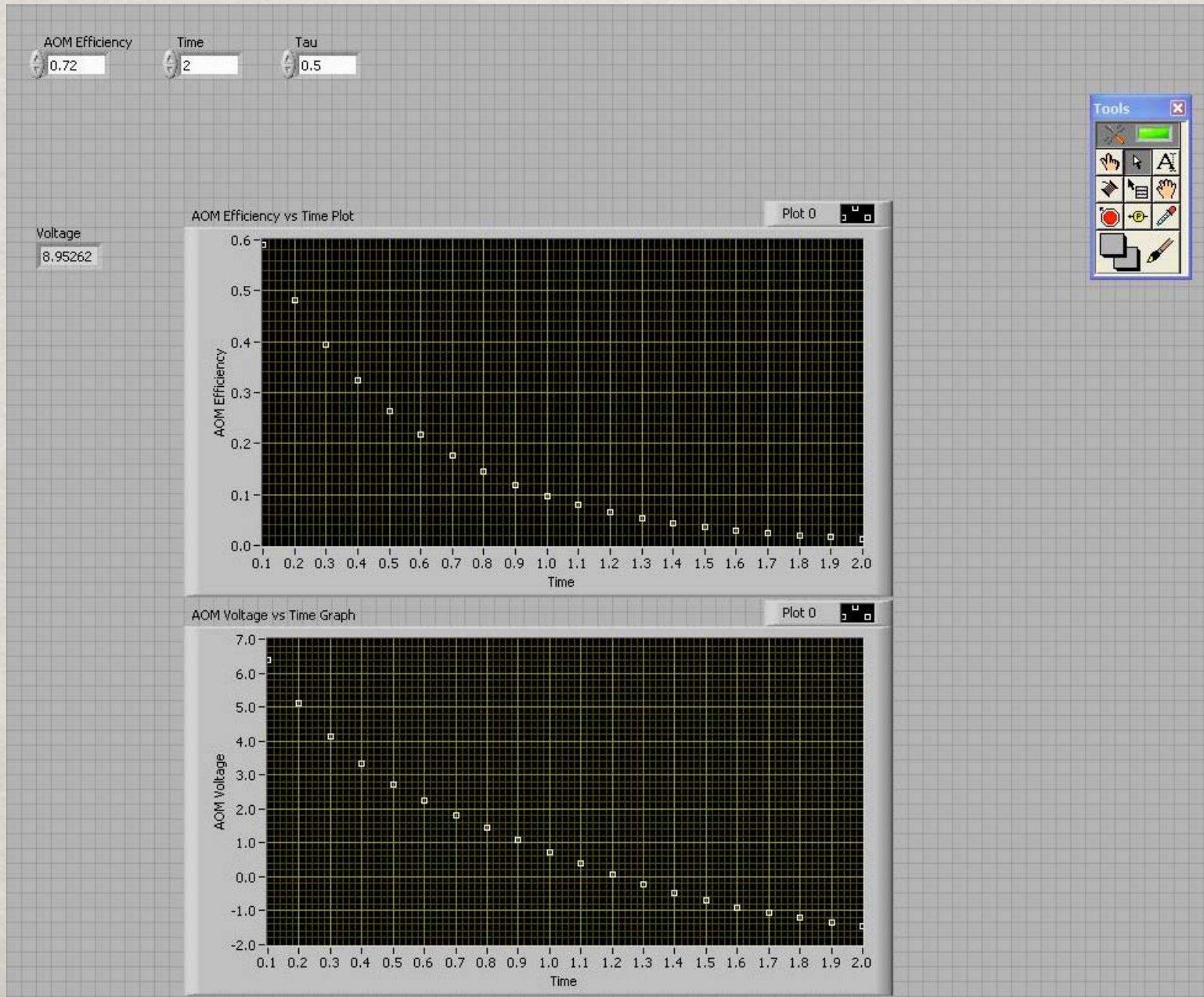
# Project #1

- Calculated parameters for an AOM so first order beam has an exponential decay
- Calibrated using LabView and experimental measurements
- Wrote program which displays output voltage, efficiency vs time plot, and volt vs time plot for a given efficiency

# LabView Code Block



# LabView Code Front



# Project 2

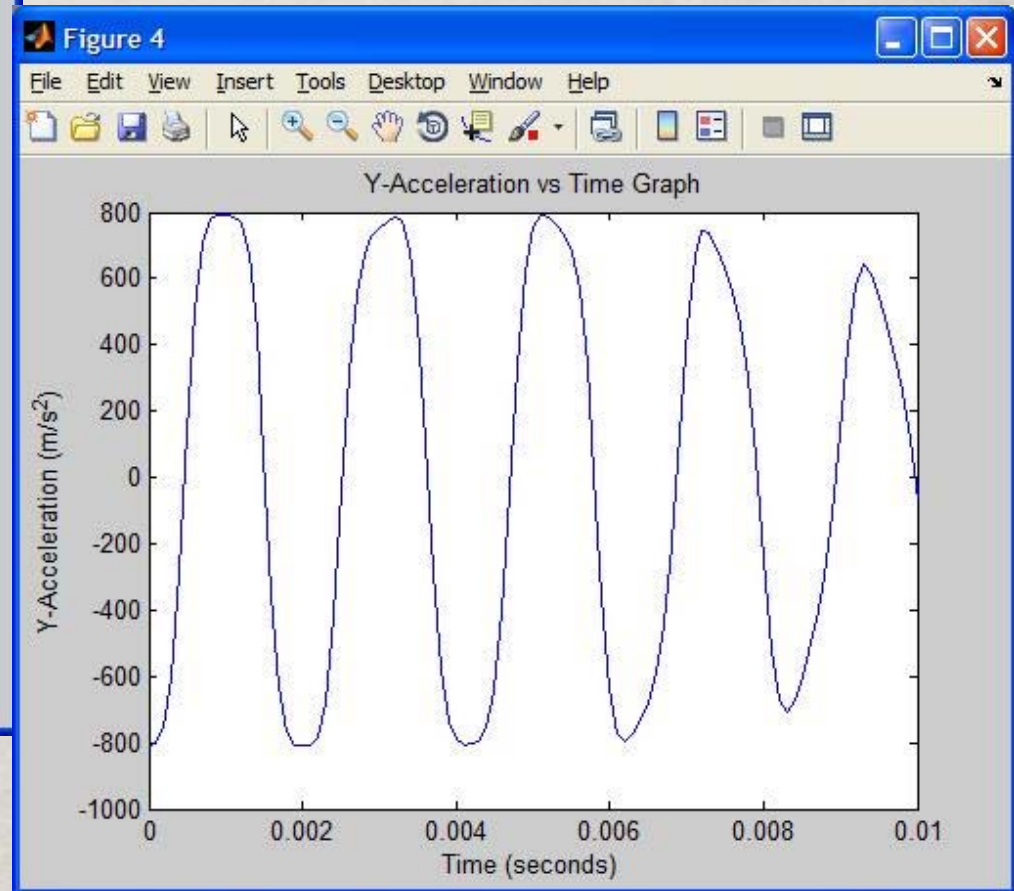
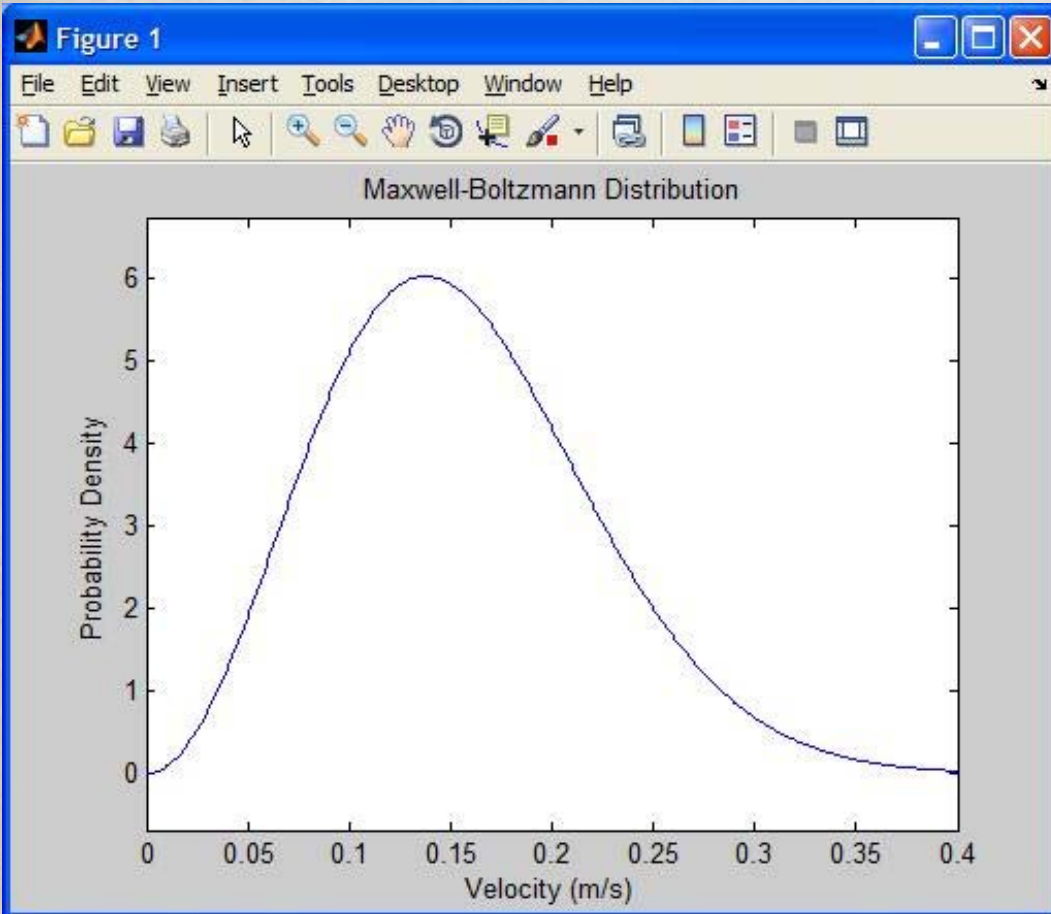
- Modeling dipole trap capturing MOT atoms in free-fall
- Given various parameters will an atom from the MOT get collected into the dipole trap
- 3 Interactions to consider:
  - Gravity
  - Dipole Trap Potential
  - Particle collisions (random collisions where force is determined by Boltzmann distribution)
- Not much research has been done on capturing the MOT atoms into the dipole trap
  - People are mostly trying to optimize it by hand instead of running computer simulations



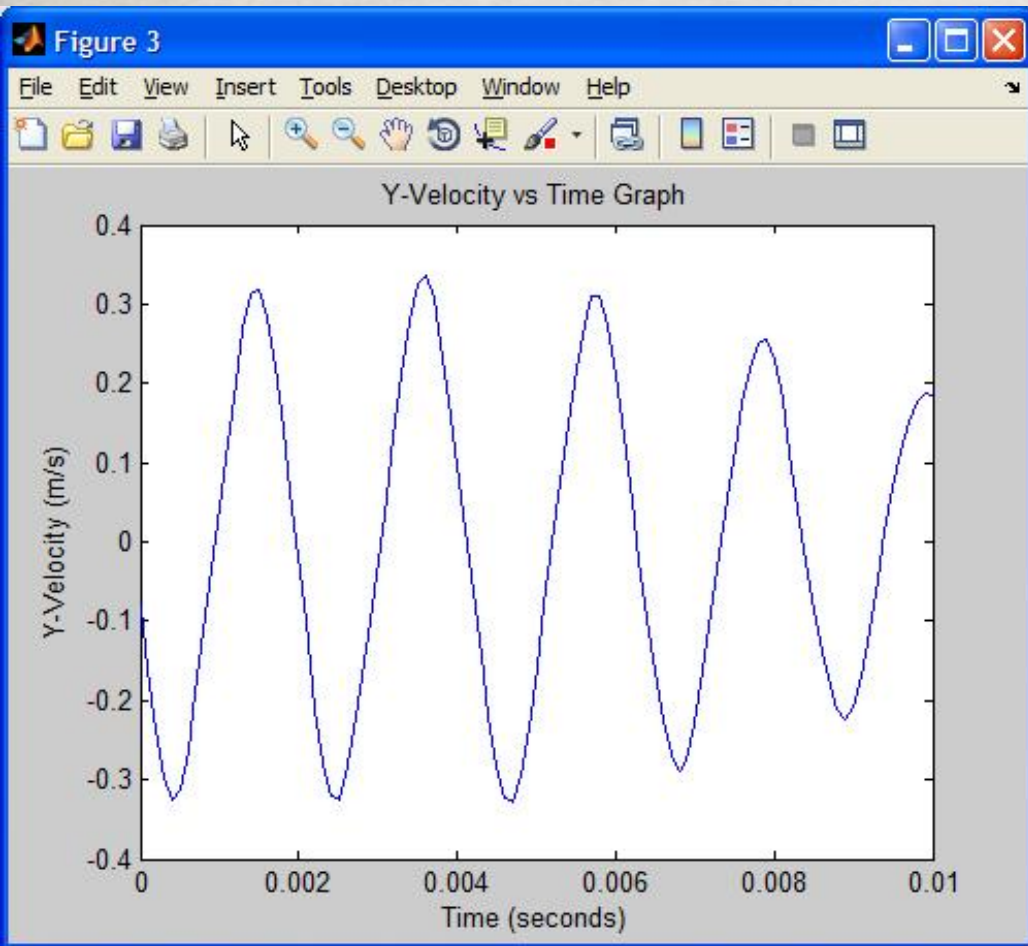




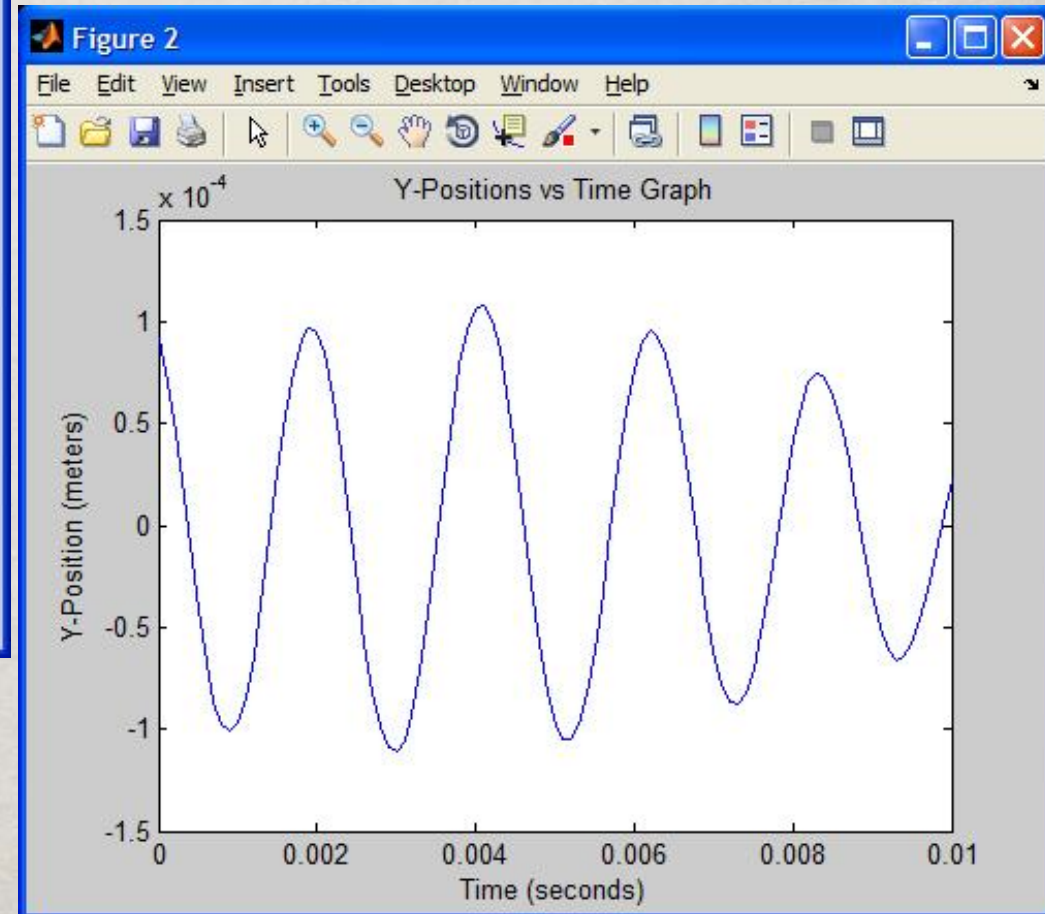
# MatLab Output 1



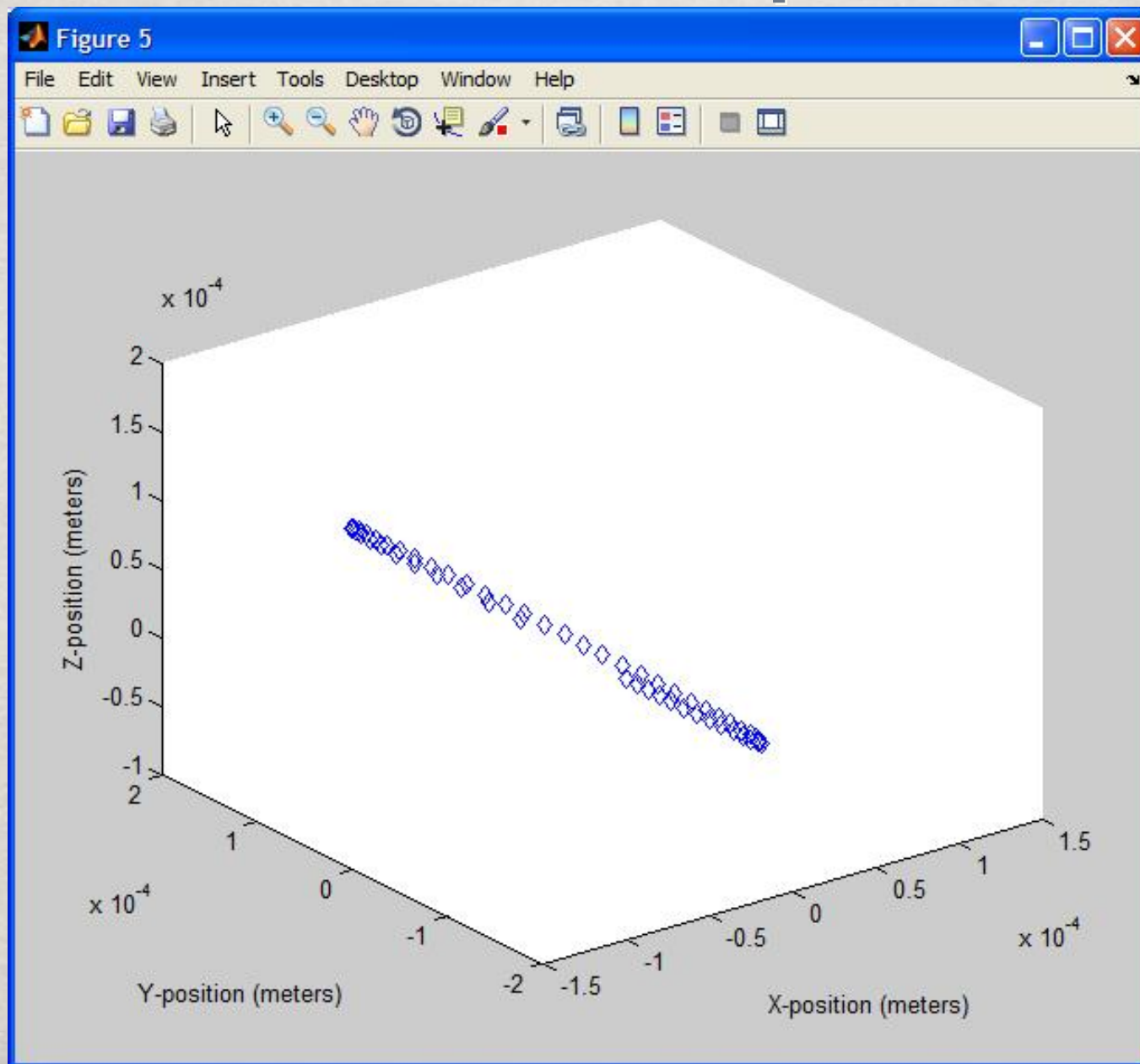
# MatLab Output 2



Particle gets stuck!



# Matlab output 3



# Project 3

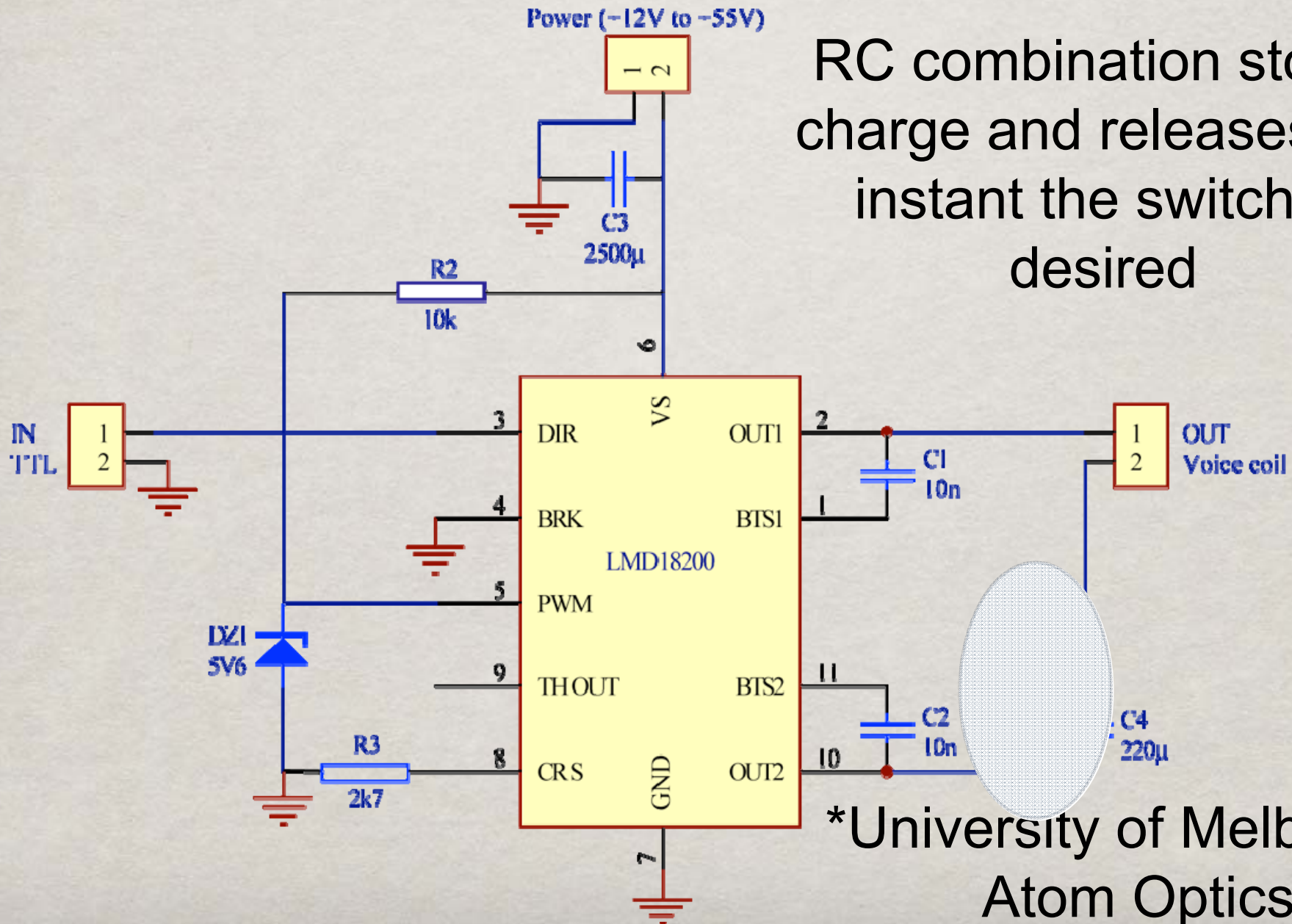
- The light shutters used in the lab open/close on the millisecond scale
- Need to open/close it faster (something on the microsecond scale)
- Building a light shutter that can hopefully open/close at .5 microseconds

# Hard Drive Shutter



- Building shutter out of a hard drive
- HD arm moves very quickly
- Attaching circuit to voice coil will allow control of arm

# Shutter Circuit

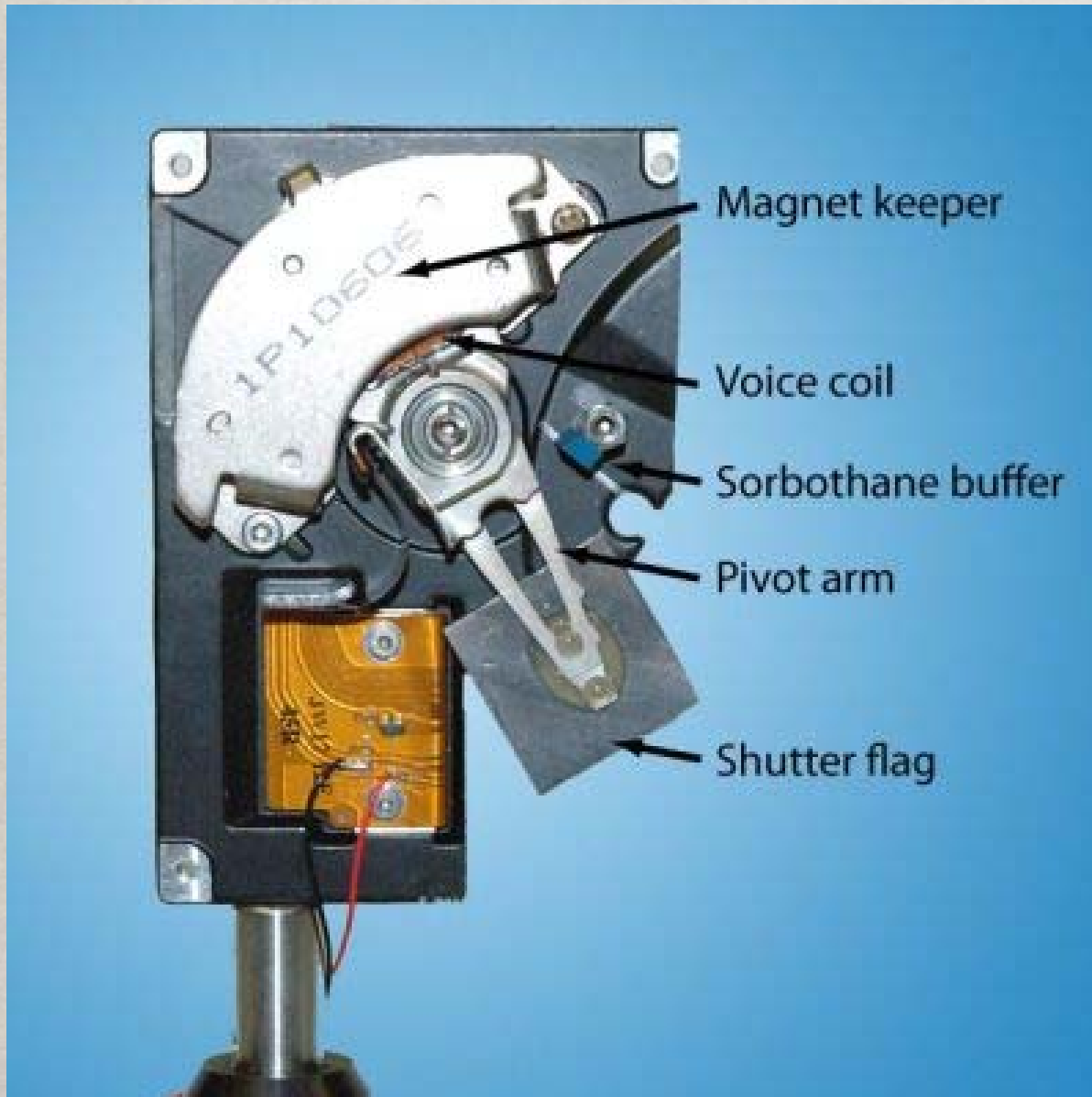


RC combination stores charge and releases the instant the switch is desired

\*University of Melbourne  
Atom Optics



# Finished Product



\*University of Melbourne  
Atom Optics

# Hard Drive Progress

- ✿ Soldered the circuit to PCB board
- ✿ Created an enclosure for the circuit
- ✿ Had everything tested and working, until I broke it
- ✿ I fried the IC and am currently waiting for new ones

# HD Shutter



P.S. Inputs

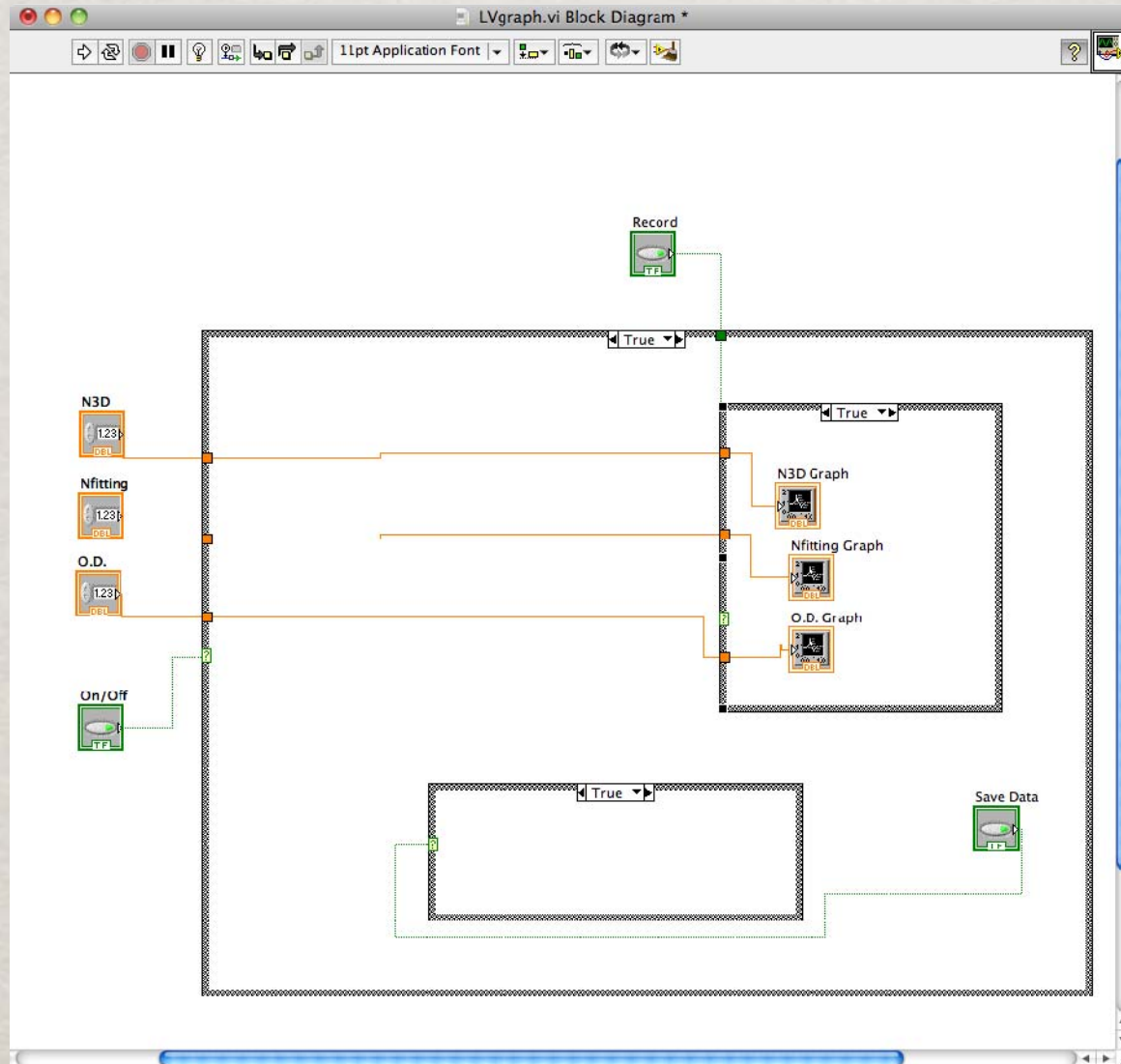
On/Off

TTL Input/Output

# Project 4

- ✿ Created a program in LabView that allowed live updates of 3 parameters and graphed them instantaneously
- ✿ The input parameters were O.D., N3D, and Nfitting
- ✿ The output is 3 graphs

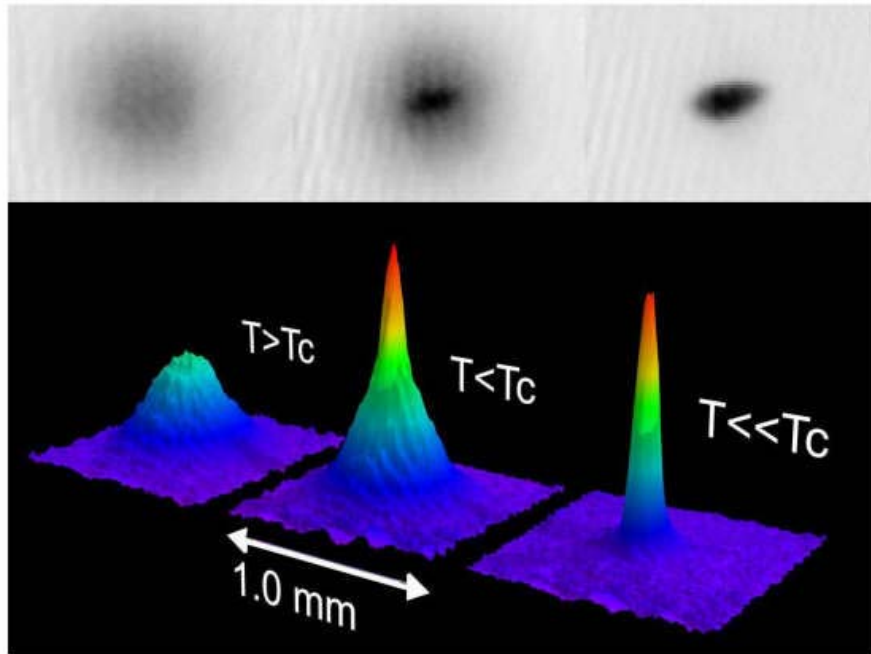
# LabView Code



# Project 5

- ✿ Created LabView program that created a line of best fit for Bose-Einstein condensates
- ✿ During the transition to a BEC the particle distribution changes from a Gaussian distribution to a Thomas-Fermi distribution

# Thomas-Fermi Distribution



Coherent Spin Dynamics of a Spin-1 Bose-Einstein Condensate

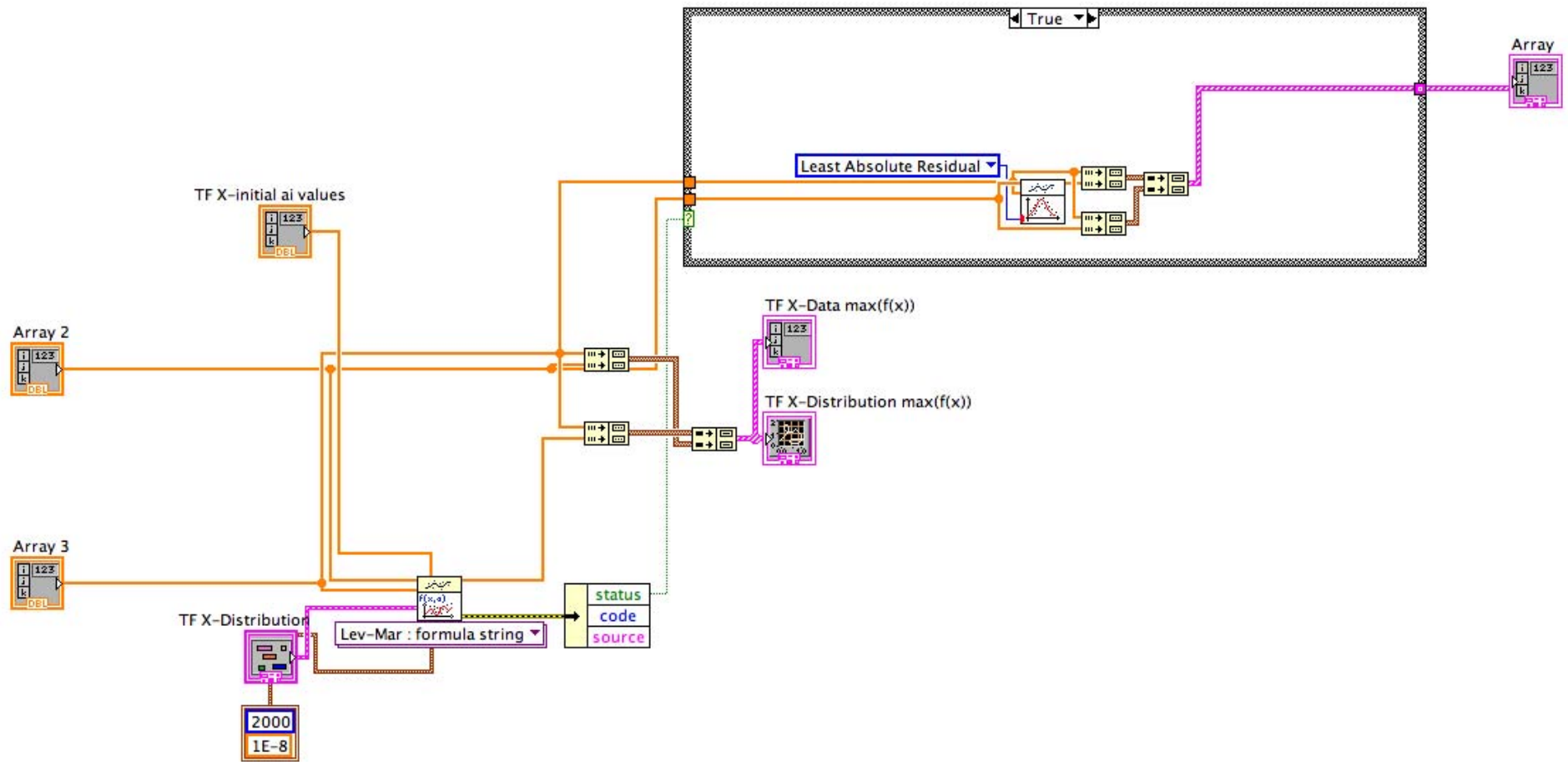
Ming-Shien Chang

$$\tilde{n}_{\text{tof,th}}(\vec{r}) = A e^{-\frac{r_1^2 + r_2^2}{2\sigma^2}}, T \gg T_c$$

$$\tilde{n}_{\text{tof,tot}}(\vec{r}) = A g_2(z e^{-\frac{r_1^2 + r_2^2}{2\sigma^2}}), T \gtrsim T_c$$

Riemann Zeta function  $g_l(z) \equiv \sum_{j=1}^{\infty} \frac{z^j}{j^l}$

# LabView Code





# Project 6

- Mapped out a grounding scheme for the electrical equipment in the lab
- Hopefully after locating all the grounding sources it will help clear up grounding noise which could be preventing us from making a BEC



# Project 7

- ✿ Initially started as a project to prevent atom loss in the dipole trap
- ✿ The idea is to use a magnetic field to counter-act the force of gravity (which may be causing atom loss in the dipole trap)
- ✿ Will use a coil of wire to apply a B-field to the dipole trap which will apply a force on the atoms which is proportional to the gradient of the B-field

# Magnetic Coils

- ✿ Through calculations it has been determined that the mechanism for atom loss in the dipole trap we are experiencing is not gravity
- ✿ This project is now focused on using these magnetic fields to re-create the Stern-Gerlach experiment

# Stern-Gerlach Theory

- ✿ A nonuniform magnetic field applies a force on neutral atoms and they undergo a deflection in their path
- ✿ This is caused by the spin of the atoms acting as a magnetic moment

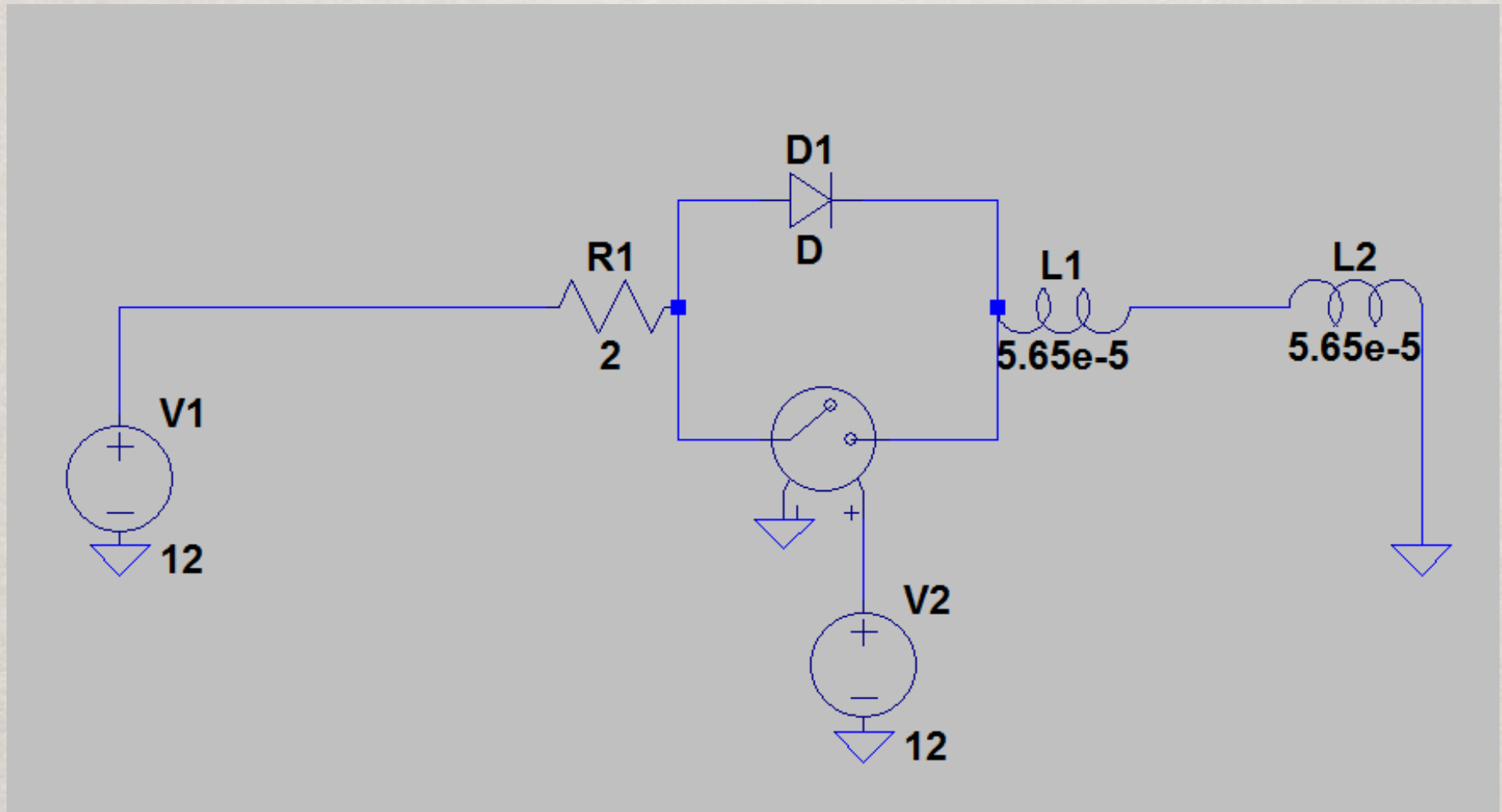
$$\mu = -m_l g_j \mu_B$$

$$U = -\mu \cdot B$$

$$F = -\nabla U$$

$$|F| = \mu_B \mu_l g_j \frac{\partial B}{\partial z}$$

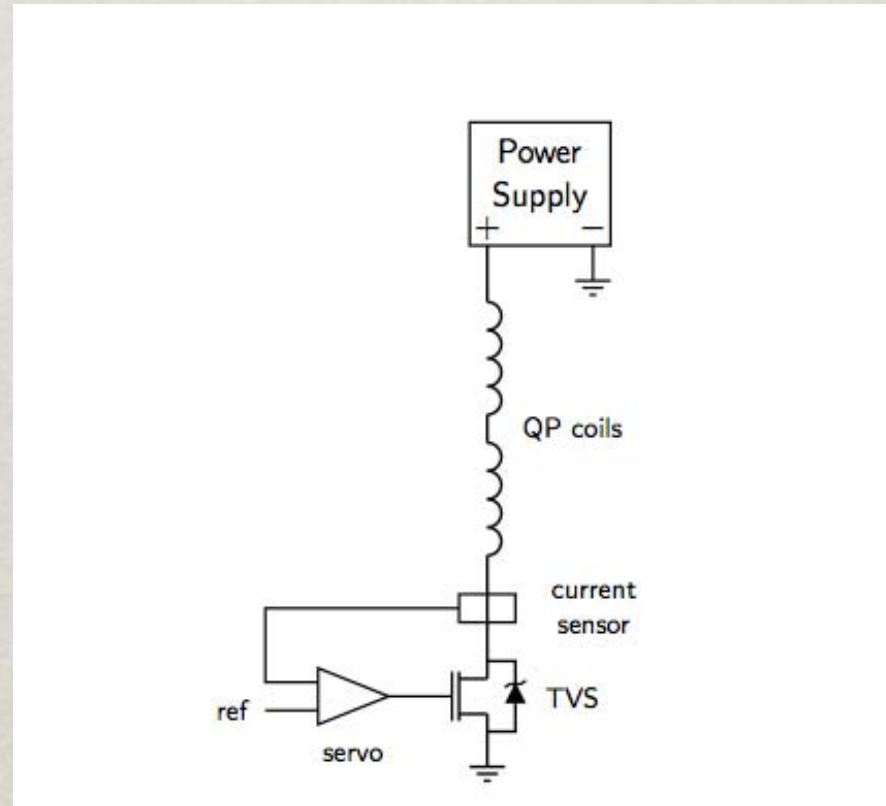
# Circuit Design



# Future Circuit

ULTRACOLD ATOMS IN A DISORDERED OPTICAL LATTICE

MATTHEW ROBERT WHITE



# Project 8

- Working on optimizing several parameters of the MOT stage on the BEC apparatus
- Specifically changing re-pump intensity  
magnetic field intensity, ramp of magnetic field intensity



# Apparatus Control

EvapControl\_moreEvap.vi

File Edit View Project Operate Tools Window Help

8 7 6 5 4 3 2 1 8 7 6 5 4 3 2 1  
A B P MOT B Switch Rshutter UV Order shut CCDT A B P MOT B Switch R MBC DS CCDT

**Load MOT B**

MOTA t #A: 30000

cycle t #A: 5000

push cycles #A: 90

t #A1: 200

D10 #A1: 100

Q Iteration: 762

Q Avg: 1

sample mode: Finite

Iterate?

t step: 0

Param step: 0

millisecond multiple: 60000

30000

**Analog Dev1**

A F #A: 6.1

B F #A: 6

P F #On: 7.3

R I #ON: 10

D1 F #Off: 5.78V

B I #A: 10

D1 I #Off: -2.3

D F #Off: 3

D F #On: 7.3

**Analog Dev2**

D2 I #Off: 0

LR: 0.000

M #A: 2,300

UD: 0

D2 F #Off: 0.000

FB: 0.000

R F #ON: 10

D I #A: 10

9,385

#A Only?

**CMOT1**

t #B1: 200

D10 #B1: 10100000

B I #B1: 10

B F #B1: 5

R I #B1: 10

M #B1: 2.3

M t #B1: 0

**MOTB 2**

t #B2: 0

D10 #B2: 10100000

B I #B2: 10

B F #B2: 3.5

R I #B2: 1.6

M #B2: 2.3

M t #B2: 50

**MOTB 3**

t #B3: 0

D10 #B3: 10100000

B I #B3: 0

B F #B3: 0

R I #B3: 0

M #B3: 0

M t #B3: 50

**CMOT2**

t #BF: 400

D10 #BF: 10100010

B I #BF: 10

B F #BF: 3.5

R I #BF: 7

M #BF: 2.3

M t #BF: 0

shutter time: 77

**MOT+FORT**

t #C1: 400

D1 I #C1: 3

D2 I #C1: 8

B I #C1: 0

R I #C1: 3

M #C1: 2.3

B F #C1: 0

D10 #CF: 10101010

Note: Has dig of PGC 0 order

**FORT**

Connect?

K text

trap lifetime at trap powers

t #D1: 10000

t #D2: 10000

t #D4: 0

t #DF: 0

D1 I #D1: 3

D1 I #D2: 0.5

D1 I #D4: 0.565

TauDip1#D4: 4788.51

D2 I #D1: 8

D2 I #D2: 3

D2 I #D4: 0.6

TauDip2#D4: 14427

D3a: 10000

t #D3b: 10000

D1 I #D3b: -0.55

D2 I #D3b: 1.9

D1 F #ON: 5.78

D2 F #ON: 9.385

M #D: 0

D10 #D: 11111000

**Dip Beams Int**

**TOF**

t #E: 90

TOF t step: 5

TOF t end: 100

D10 #E open Rs: 111110010

shutter repump?

note: shutter option currently requires one of the D3 steps to be active, and the sum of its time and t #E to be greater than 'shutter time'. Also, #D4 and #DF must not be used. Finally

**Detection**

With Atoms #F1: 1

D1 I #F1: -2.3

MOTB off: 800

No Atoms #F3: 1

Turn off all: 800

Dark image: 1

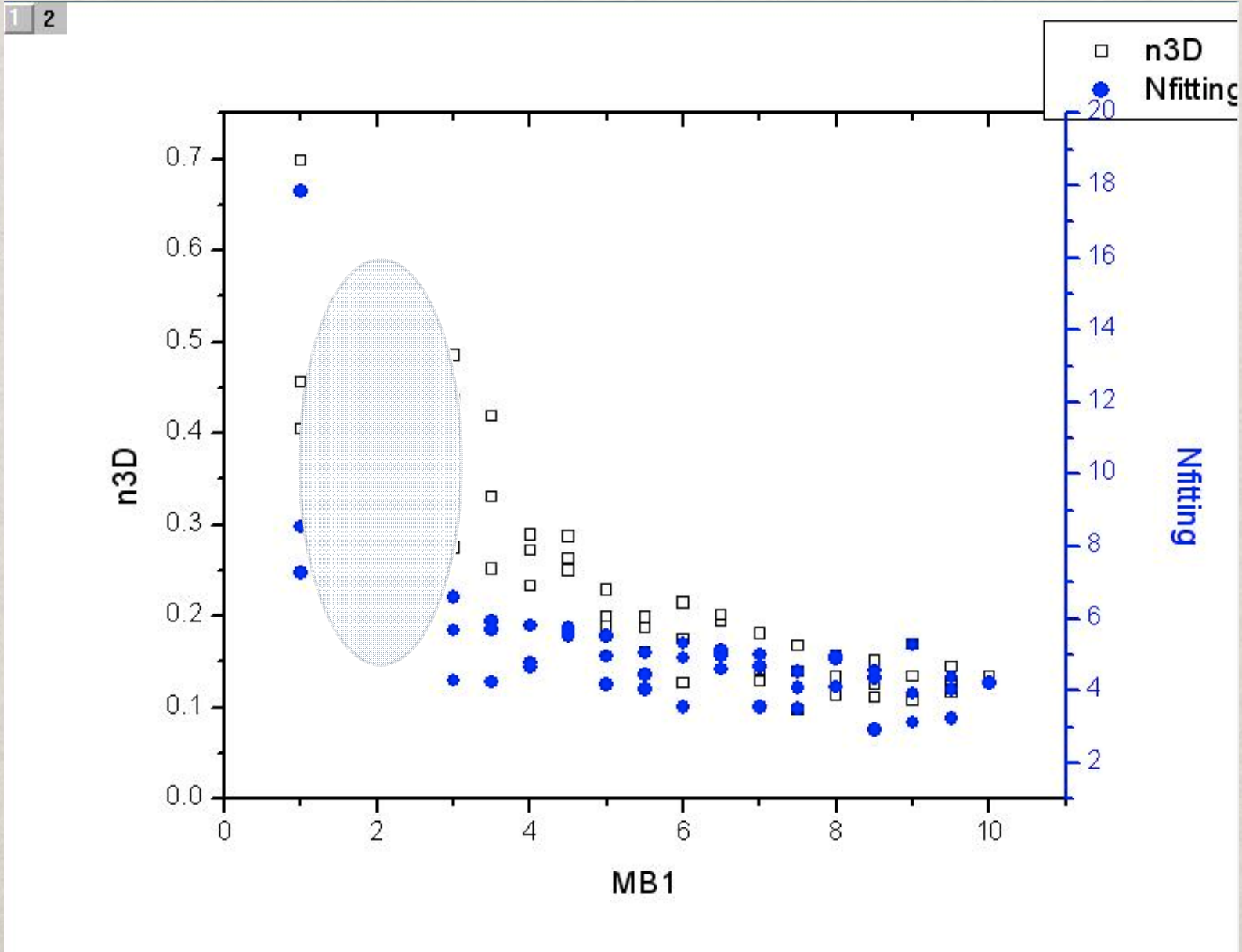
Repumping F: 10

R I #D: 6

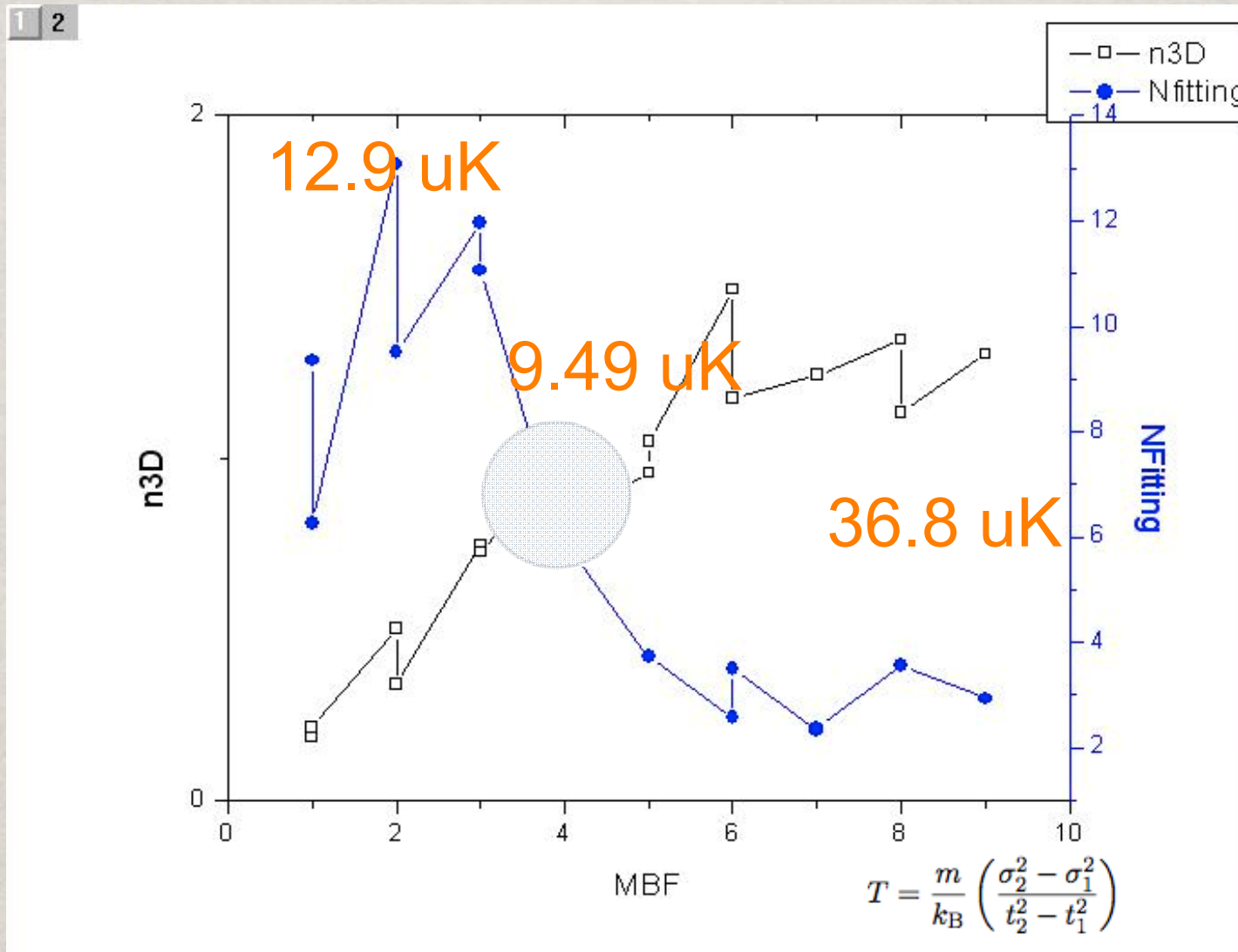
D10 #F on: 111110011

t #Ff: 100

# Graphs of Data



# Graphs of Data



PSD  $\sim$  N/T<sup>3</sup>